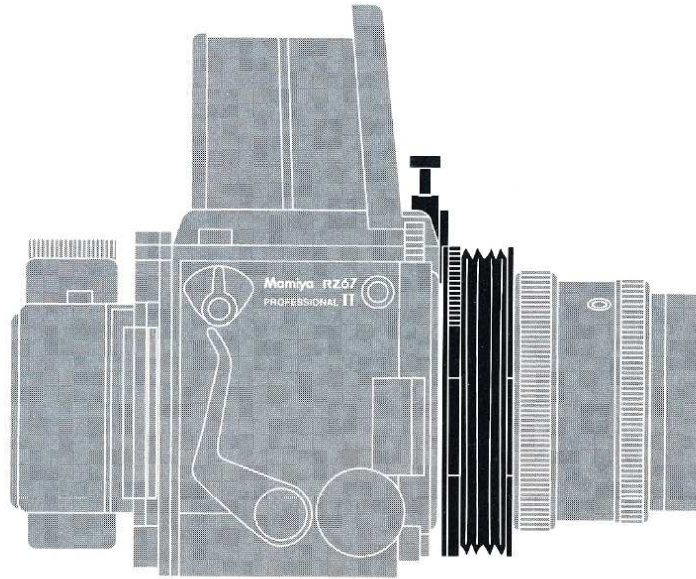


RZ67

シフト・テイルトアダプター [NI 701] Shift/Tilt Adapter [NI 701]



Instructions
www.ianbfoto.com

Shift/Tilt Adapter [NI 701]

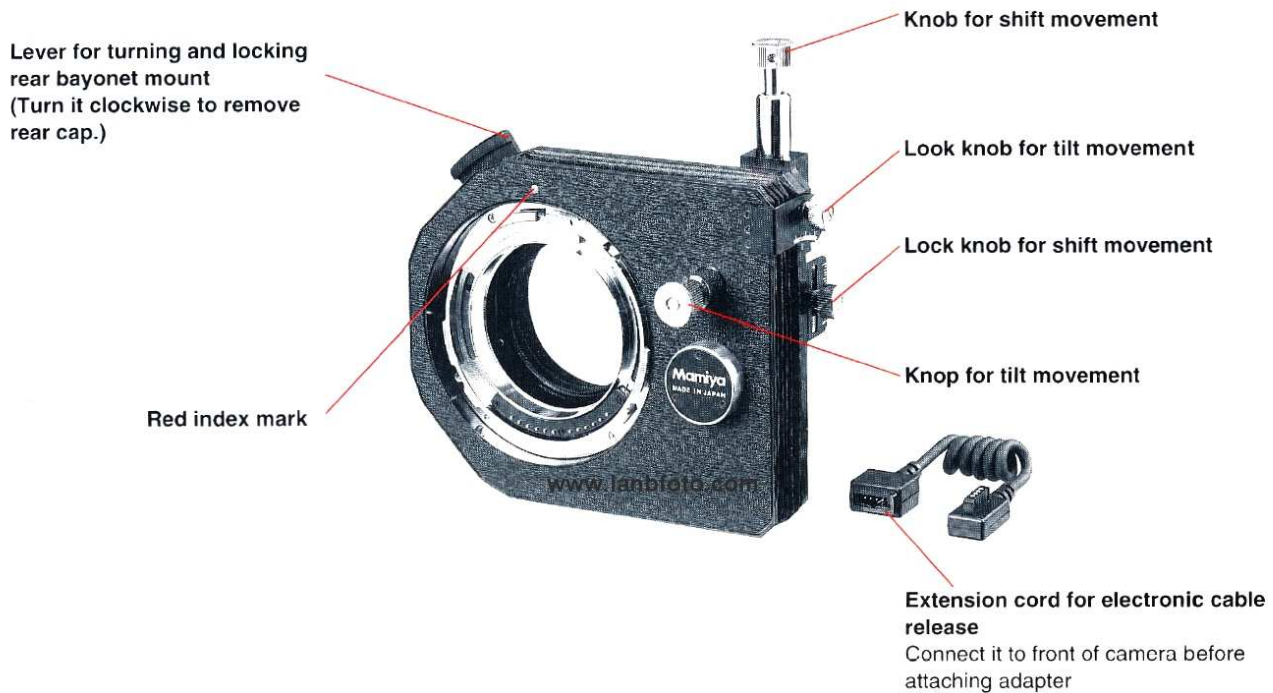
Instructions

Congratulations on your purchase of a Mamiya Shift/Tilt Adapter NI 701.
It's exclusively for the purpose of close-up photography with the Mamiya RZ67 PRO II .
In order to take full advantage of its capabilities and to insure proper operation, please read this instruction manual carefully before using your new equipment.

CAUTION

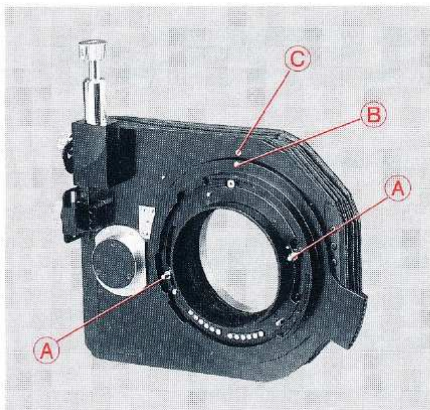
Use a tripod strong enough to hold the camera and its lens, and be sure not to shoulder or carry the camera with the tripod.
Be sure to hold the body of the camera when using the Shift/Tilt Adapter on it, not to hold the lens or the Shift/Tilt Adapter in order to prevent any injury to you or any damage to these products caused by a fall of the camera.

Nomenclature and Functions



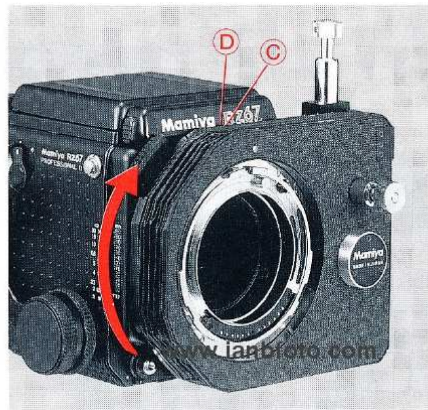
15

Attaching the Shift/Tilt Adapter



1. Cock the mirror of camera body.
2. Remove the rear cap of the adapter. (To release it, the bayonet mount locking lever must be turned clockwise as far as it will go.) Red and white dots © and © will then be aligned.

★ If pin © is not located as illustrated, move it counterclockwise until it clicks into position at green dot.



3. Attach the adapter to the camera body just like a lens. Red dot © against camera's red dot © and lock it into position by moving bayonet mount locking lever upward, as far as it will go.



4. Remove the front cap by turning it counterclockwise and attach the lens the way you attach it to the camera.

16

Disassembling the outfit

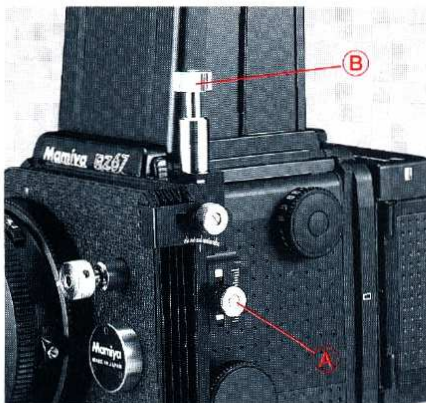


1. Cock mirror and shutter.
2. Turn bayonet locking collar of lens counterclockwise until its white dot is aligned with adapter's red dot and lift the lens.

3. Turn the locking lever of the adapter counterclockwise and lift the adapter.
★ If the mirror and shutter are not cocked, the adapter cannot be removed.

17

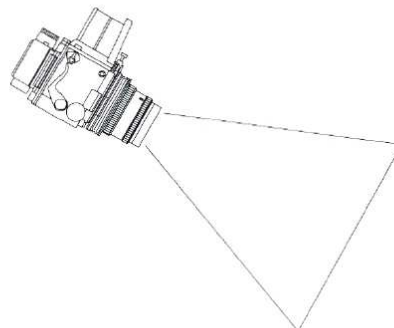
How to use shift movement for perspective control



1. Loosen locking knob (A).
 2. While observing the groundglass screen, turn shift knob (B) and lock it when desired position is found.
- ★ The shift scale, calibrated in millimeters, shows the +/-10mm movement range.
 - ★ Shift and tilt movements can be used together.



Without shift Movement



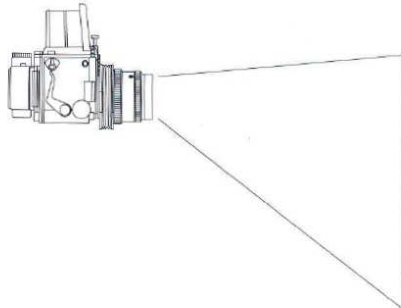
18



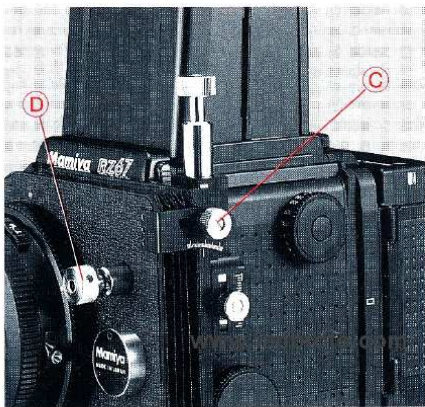
Shift (Rise&Fall) movement

<Example of Fall Movement>
Without shift movement, the lower part of an image becomes narrower.
(See photos)

1. Setting the adapter at its normal position and putting the camera in a horizontal position, fix the height of the camera.
2. Moving the lens downward, adjust the lower part of the image.



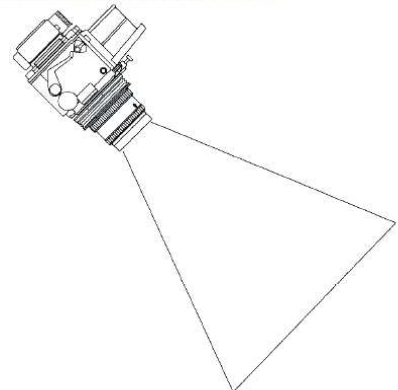
Using the tilt movement to increase depth of field



1. Loosen the tilt locking knob.
 2. Adjusting the tilt movement.
- Turn the tilt movement knob while observing the groundgrass screen.
Lock it when desired position is reached.
- ★ The tilt scale, calibrated in degrees, shows the $\pm 12^\circ$ movement range.
 - ★ The above photos were taken with lens aperture wide open to demonstrate the effect. In actual use the smallest aperture should be used.

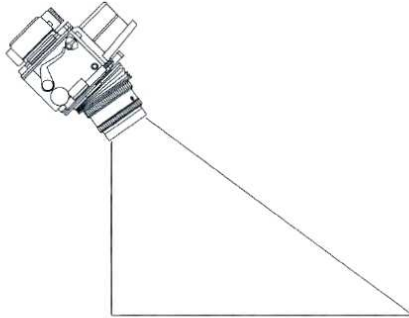


Without tilt movement





Tilt Movement



<Example of Tilt Movement>
With tilt movement, depth of field can be dramatically increased for subjects with great depth.
(See photos)

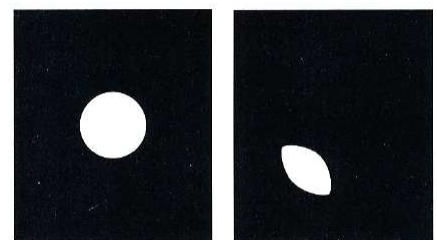
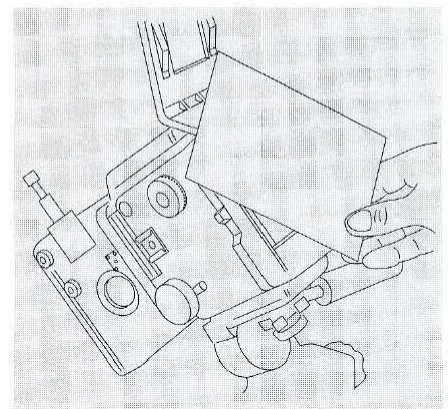
1. After setting the adapter at its normal position, compose the scene normally, fixing the camera position.
2. Focus the lens at approximately one third the distance from camera to subject.
3. Tilt the lens downward until the depth of field is enough to cover the subject.
(Choosing a narrower aperture enables you to get a sharper image.)
4. Re-adjust the focus to obtain maximum sharpness and depth of field.

How to visualize vignetting and determine aperture setting, without film.

Recommendable backs are the 6x4.5 Roll Film Holder and various Digital Backs.
When using the 6x7 Roll Film Holder, be careful of vignetting at the marginal area of an image.
Please check for possible vignetting depending upon your requirements before taking a photograph.
Use of the Polaroid Proofing Holder is recommended for checking composition, and approximating vignetting and depth of field effects.

Checking Procedure

1. Make all of the functions ready for shooting.
2. Attach the 6x7 Roll Film Holder without a film to the Camera Body then remove the Dark Slide.
3. After setting the R-M Lever to "M" (multiple exposure), slide the T Lever of the lens until the letter "T"(time exposure) is visible to set Time Exposure.
4. Press the Shutter Release Button.
5. Open the back cover and observe the diaphragm in the center of the 6x7 frame at wide open position. It looks round as in drawing A.
6. Cut a piece of thin cardboard and fit it into the film plane of the film holder. Then clip off a corner, leaving a tiny triangular opening through which you can look at the back of the lens.
7. If the shape of the diaphragm looks like a leaf (drawing B), it is an indication that vignetting will take place. As you look, turn the diaphragm ring of the lens and observe the point at which the (smaller) diaphragm opening becomes round again. Then read the f/stop setting. This is the minimum setting you should use to prevent vignetting.
8. It is sufficient to check from the upper and lower corner of one side only.
9. Release "T" setting and return the "R-M" lever to normal (center) position.



A

B

Precautions

★ When using the AE finder, determine the exposure before using tilt and/or shift movements.

As the movements may affect exposures, it is recommended that you make several bracketed exposures.

★ Using the shift and tilt movements may cause the upper part of the finder image to darken, caused by mirror cut-off. This will not necessarily affect the actual image. However, these movements can create vignetting on the film and therefore require special care.

★ When using lenses with floating elements, read the lens-subject distance after focusing and add 27.2mm for the thickness of the adapter. Then follow instructions supplied with lens.

23

Specifications

For Mamiya RZ67 Shift/Tilt Adapter (Suitable only for close-up photography)

For use with 6X7, 6X4.5 Rollfilm Holders, as well as digital backs.

(With 6X7 Rollfilm Holders some vignetting may occur.)

Recommended lenses for use with this adapter

: Z110mmf/2.8W, M140mmf/4.5M/L-A, Z150mmf/3.5W, Z180mmf/4.5W-N, Z210mmf/4.5APO, (Z127mmf/3.5W)

Movements actuated by fine focusing knobs

with lock knobs : Tilt : +/-12° with reference scale
Shift : +/-10mm with reference scale

Increase of flange focal distance

: 27.2mm

Close-up tables

Type of lens	Film plane to subject distance (cm)	Working range (cm)	Magnification	Exposure factor (without movements)
110/2.8	66.4~38.0	22.8X28.3~8.5X10.5	X0.25~X0.66	X1.48~X2.52
140/4.5 Macro	101.5~55.1	29.2X36.2~10.8X13.5	X0.19~X0.52	X1.45~X2.41
150/3.5	111.0~58.8	30.9X38.4~11.5X14.3	X0.18~X0.49	X1.42~X2.30
180/4.5	153.1~79.5	36.8X45.6~13.7X17.0	X0.15~X0.41	X1.38~X2.15
210/4.5APO	205~103	43.3X53.7~16.1X20.0	X0.13~X0.35	X1.39~X2.21

Supplied with : Extension Cord, front and rear caps

Dimensions : 158mm(W)x161mm(H)x50mm(D)

Weight : Only the Adapter 700g
Extension Cord 18g

Memo

Mamiya

Mamiya-OP Co.,Ltd.

仕様外観は品質向上のために予告なく変更する場合があります。
Specifications and appearance are subject to change without notice.

Printed in Japan
524115-QG-01JE